

Smart Solutions To Keep You Moving!

Ensign's bulk bag / super sack filling systems are designed with many features to help you move bulk materials efficiently and effectively. Whether your process requires a stand-alone unit or a fully automated system, Ensign can do it!

Our standard fillers include all the features required for easy bag filling. We also offer many options to provide efficient and accurate filling of FIBC, Gaylords, drums and other containers.

We look forward to providing a smart solution for you!

Key features:

- Heavy duty I-beam frame
- Integrated weigh & densification tables
- Adjustable fill head height for various bag sizes
- Rice Lake weigh system components
- PLC & touch screen operator station
- Martin vibrators
- Auto hook release
- Auto slide gate
- Pneumatic bag seal
- In-feed / out-feed conveyor systems
- Surge bins
- Many more features and options available
- Industry leading two year warranty on all parts and workmanship!



See back page for additional options and specifications.

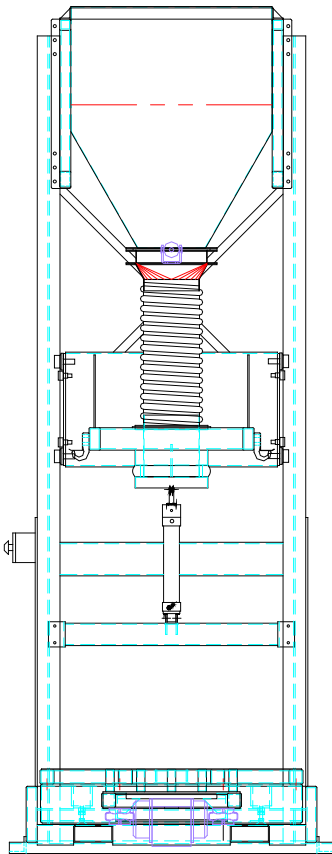
Bulk Bag Fillers

Standard Features:

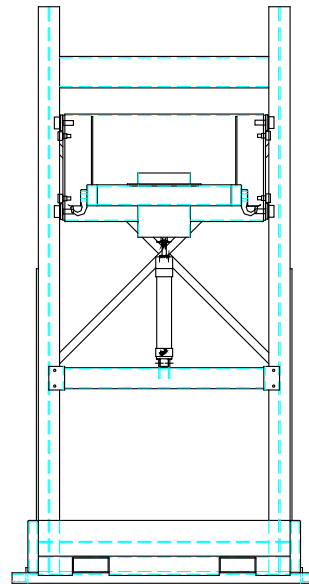
- Heavy duty steel I-beam frame
- Integrated pallet / bag deck
- Adjustable height fill head
- Steel fill head
- Fixed bag hooks
- Fills bags, Gaylords, drums
- Access to three sides
- Ensign Blue epoxy

Optional Features:

- Automated controls
- Integrated scale system
- Bag vibration / densification system
- Auto bag hook release
- Auto hook position for easy bag hanging
- Pneumatic bag seal
- SS or steel surge bins
- SS fill heads
- Dual chamber fill head for bag venting
- Dust collection connection stub
- In-feed / out-feed conveyor systems
- Work platforms
- Custom sizes & applications



Bag filler w/ surge bin, weigh & densification system



Basic bulk bag filler

Model No.

Description

52-1000	Bulk Bag / Super Sack Filler
52-1060	Bulk Bag Fill Stand <small>(not shown)</small>
52-2000	Bulk Bag Handling / Storage Rack <small>(not shown)</small>

* Custom options and sizes available for most applications

ENSIGN EQUIPMENT INC.
12523 Superior Court
Holland, MI 49424

ph: 616.738.9000 (or) 800.753.8947
www.ensigneq.com
sales@ensigneq.com
fax: 616.738.9001

