

PORTABLE BATCH MIXERS

Vertical Auger

Smart Solutions To Keep You Moving!

The Portable Batch Mixer is designed to efficiently and economically create a homogenous mixture of free flowing bulk solid materials. Its heavy duty 6" OD auger lifts material up from the bottom of the hopper and disperses it evenly throughout the top. Equally efficient at all capacity levels.

Great for mixing multiple batches for greater consistency, virgin and recycled materials, and color concentrates for example.

Portable Batch Mixers are the smallest of our three mixer lines and come in sizes ranging from 3 to 60 cubic feet, with a variety of filling and discharging options.

Key features:

- Heavy duty welded construction
- Baldor TEFC motors, Toledo or Grove gear drives
- Lube free composite lower auger bushing for low maintenance
- Roller slide gate for jam-free operation
- Industry leading two year warranty on all parts and workmanship

The 44" square leg pattern will fit above our Portable Storage Bins, Power Hoppers and our standard discharge stands. These stands support multiple processes to include:

- Gravity discharge into Gaylords and other containers
- Power hoppers & screw conveyors
- Vacuum systems
- Scale systems

See back page for additional options and specifications.



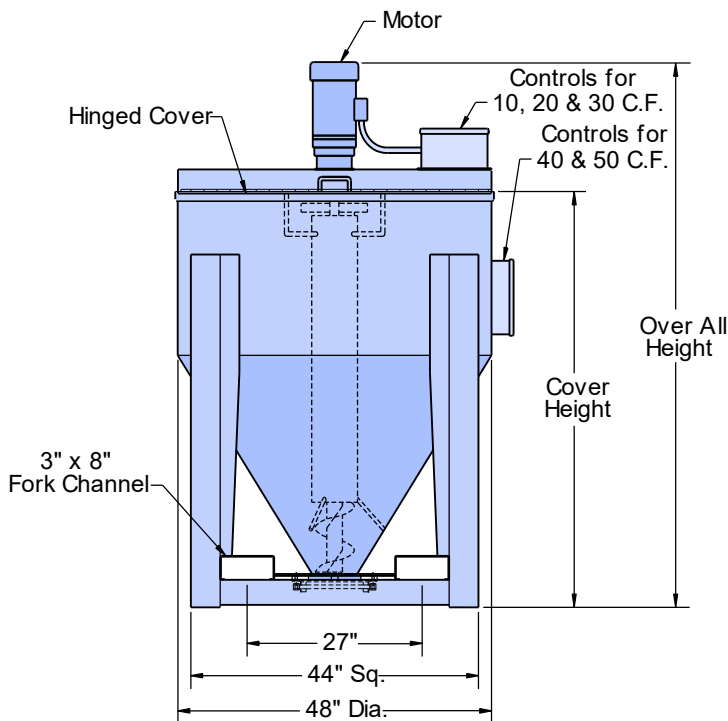
Portable Batch Mixers

Standard Features:

- HD 14ga round hopper, w/ 10ga legs
- 6" OD quick mixing agitator auger
- Lube free composite auger bushings
- 8" bind-free roller slide gate
- Push button start / stop
- 30 min. mechanical cycle timer
- NEMA 12 electrical enclosure
- Integrated shut-off switches in covers
- 3/4 to 2HP TEFC motors
- Direct gear drive
- Double hinged covers
- Two-way fork channels
- Ensign Blue industrial epoxy

Optional Features:

- Programmable digital timer
- Stainless steel
- Easy Clean package
 - Fully welded auger flighting
 - Hinged auger tube access door
- Vacuum loader mounting pattern
- Dumper fill chute
- Gaylord discharge stand
- Auger discharge stand
- Vacuum discharge stand
- Custom paints and coatings



1PH Elec	3PH Elec		Cover	Overall
Model #	Model #	Description	Height	Height
60-1000	60-1200	Portable Batch Mixer, 10 cu. ft.	40.5"	60"
60-2000	60-2200	Portable Batch Mixer, 20 cu. ft.	46.5"	66"
60-3000	60-3200	Portable Batch Mixer, 30 cu. ft.	56.5"	76"
60-4000	60-4200	Portable Batch Mixer, 40 cu. ft.	66.5"	86"
60-5000	60-5200	Portable Batch Mixer, 50 cu. ft.	76.5"	96"
60-6000	60-6200	Portable Batch Mixer, 60 cu. ft.	86.5"	106"

ENSIGN EQUIPMENT INC.
 12523 Superior Court
 Holland, MI 49424

ph: 616.738.9000 (or) 800.753.8947
 fax: 616.738.9001

www.ensigneq.com
 sales@ensigneq.com

